

## Extends DVI-D signal up to 100ft



The DVX100 extends the distance between any computer supporting DVI-D and monitors or projectors up to 50ft. The system features daisy chain capabilities that can extend the limit up to 100ft.

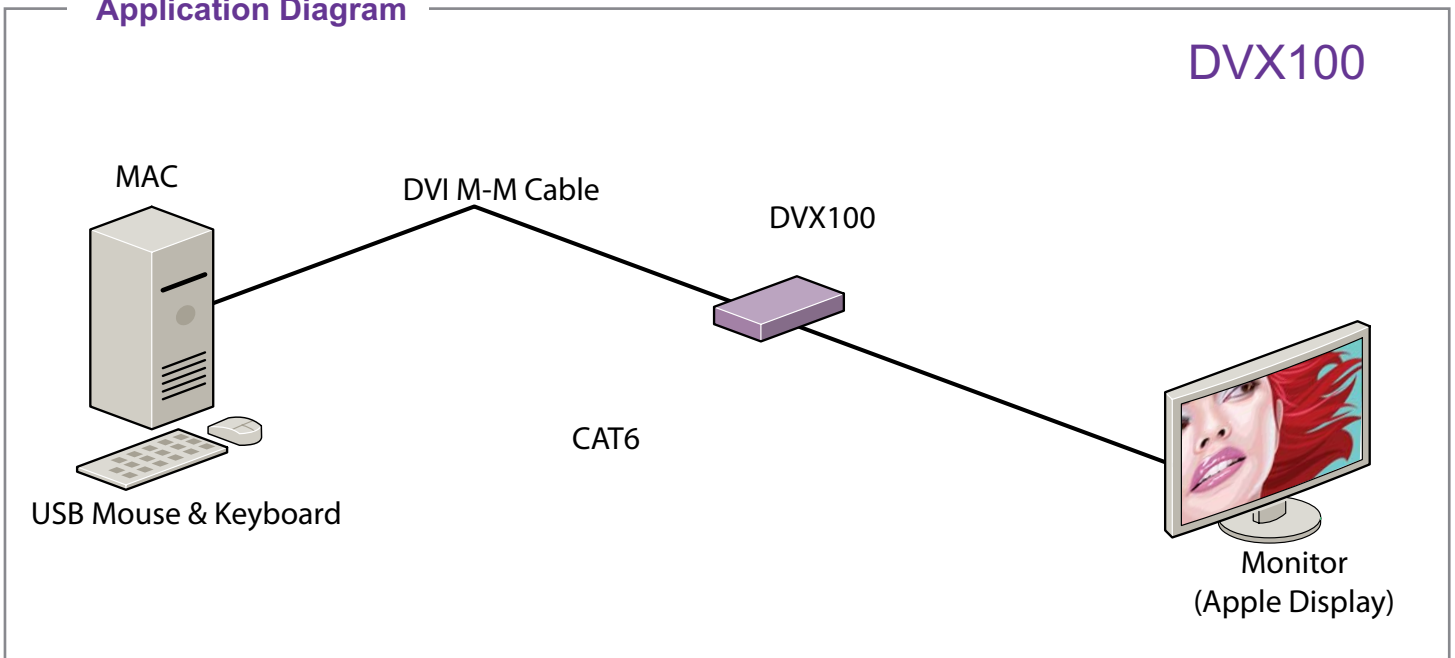
### Features

- Supports MAC and PC DVI-D
- Resolution up to 1920 x 1080
- No loss of pixel
- Maintains highest DVI single link video resolution
- DVI output regenerates TMDS digital video
- Output can drive long cable up to 50 feet
- Green led for power
- External power supply
- Provides noiseless operating environment at the remote station
- Places CPU outside of harsh environment
- Saves space on your desktop



## Application Diagram

DVX100



## Applications

- **PRESENTATIONS:** DVX100 enhances any presentation from commercial products to corporate financial data. It can be used in show rooms, board rooms, trade shows and window displays.
- **DATA BROADCASTING:** Data such as news, stock prices sports results, and flight information can be broadcast in real time to various monitors and/or speakers.
- **LEARNING & TRIANING:** DVX100 can be used in educational presentations to multiple locations, in schools and in other training facilities.



## Specifications

### Video

DVI Connector: Input-DVI-D, Output-DVI-D

### Bandwidth

Input- 1.6Ghz, Output- 1.6Ghz

### Signal

Input- DVI-D, Output- DVI-D

### DDC Signal

Input-5VTTL, Output-5VTTL

### Power

External 5VDC 1A, 5x2.1mm

## Order Info

Model	Description
DVX100	Active DVI Repeater with Power Supply 5VDC-1A
DVPA005	5ft DVI Cable Male/Male
DVPA015	15ft DVI Cable Male/Male
DVPA020	20ft DVI Cable Male/Male
DVPA030	30ft DVI Cable Male/Male

Many leading companies have recognized and embraced the innovation of SmartAVI's technologies and have successfully incorporated them into their organizations. Users of SmartAVI include:

