

Technical Specifications

HR-4P Specifications		
Functional/ Model	HDMI Switch	HDMI Switch w/ IR
Input HDMI F connector	4	
Output HDMI F connector	1	
Selection Method	Front Push Button	Front Push Button & IR
Bandwidth	2.25Gbps	
Resolution	480i, 480p, 720i, 720p, 1080i, 1080p	
Transmission Max.	15 meters	
EX. Power adaptor	DC 5V 1A	
Housing	Metal	
Dimensions (mm)	120.5(L)x72(W)x24(H)	

© Copyright 2008 Smart-AVI, All Rights Reserved

Notice

The information contained in this document is subject to change without notice. Smart-AVI makes no warranty of any kind with regard to this material, including but not limited to, implied warranties of merchantability and fitness for any particular purpose.

Smart-AVI will not be liable for errors contained herein or for incidental or consequential damages in connection with the furnishing, performance or use of this material.

No part of this document may be photocopied, reproduced or translated into another language with out prior written consent from Smart-AVI.

Smart-AVI
SMART AUDIO VIDEO INNOVATION

User Manual

HR4P

HDMI 4 Port Switch



Switch up to Four HDMI Sources Seamlessly
on One Display Screen

Smart-AVI
2840 N. Naomi Ave.
Burbank, California 91504
Phone: (818) 565-0011
Facsimile: (818) 565-0020

www.smartavi.com

Introduction

This switcher is HDMI V1.3 Compliant and supports up to 36-bit Deep Color, Dolby True-HD or DTS HD Audio formats. IR Remote can fully select input for output independently, or push button on Front panel can do the same.

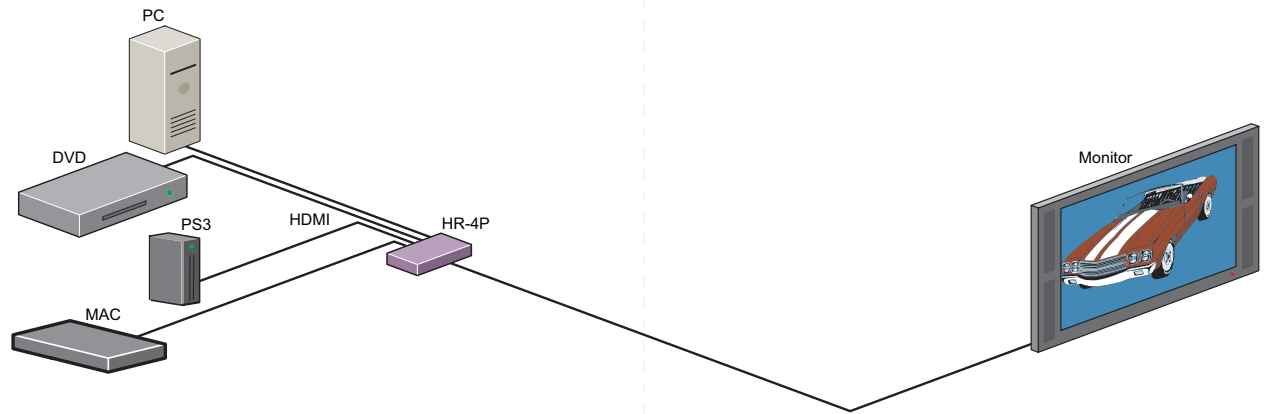
The especially recommended 4x1 HDMI switch allows up to four HDMI source devices to be independently switched to on HDMI compatible monitor, HDTV's and/or projector.

Features

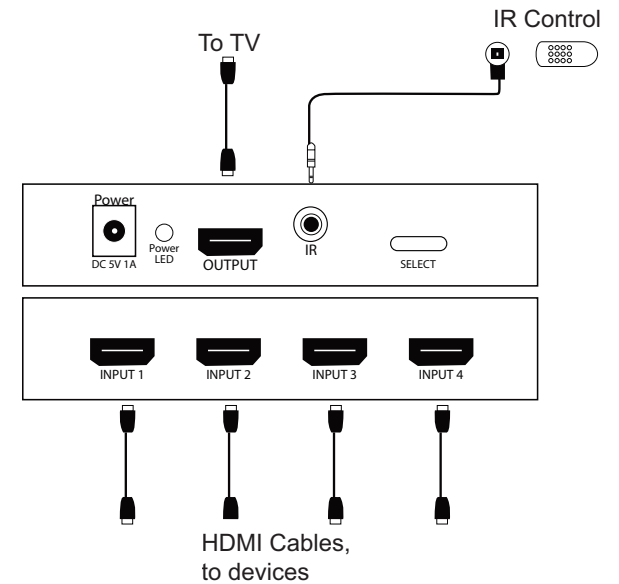
- Support HDMI 1.3b deep color signal
- Maintains 480p. 720p. 1080i and 1080p video formats
- Supports HDMI 1.3 digital audio format LPCM/ Dolby-AC3/DTS7.1/DSD
- Manual operated or IR remote control both are available
- ATC & HDCP compliant
- Connect Four HDMI Components to an HDTV Monitor
- Seamless Switching Between HDMI Sources



IR and Remote



Connection Diagram



What's in the box?

HR-4P

Please check the contents of the package before beginning installation.

Qty	Description	Part Number
1	HDMI Router/Switch 4Port Includes HR-4P and PS5VDC 1A-C	HR-4PS
1	Remote control Unit (optional)	RMT-HR
1	IR-eye for HDMI switch	EYE-IRH

Installation and Operation

Connecting the Converter

1. Connect the HR-2P to the TV/Monitor with HDMI cable(included with the unit).
2. Connect all the source to the HR-2P via HDMI cable.
3. Connect Power Adaptor.

Channel Selection

You can select the channels you want to access in two ways. Front panel push button selection and remote control included with the package content.

FRONT PANEL PUSH BUTTON SELECTION

The front panel push button is used to select which channel is currently displayed on the HDTV. Pressing the button during normal operation will cause next channel to be selected.

REMOTE CONTROL SELECTION (IR)

The channel can also be selected through the attached remote. Push the IR code button on the remote control panel for 2 seconds.